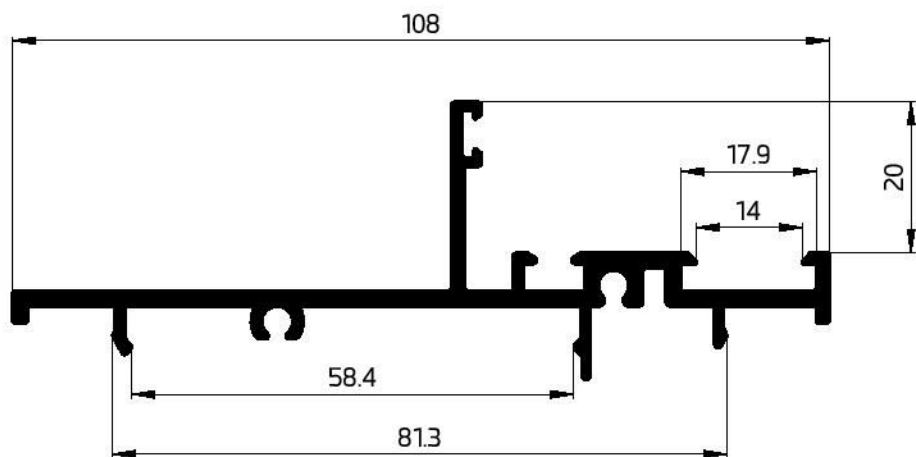
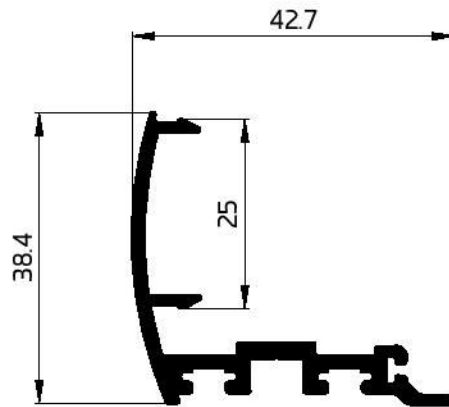
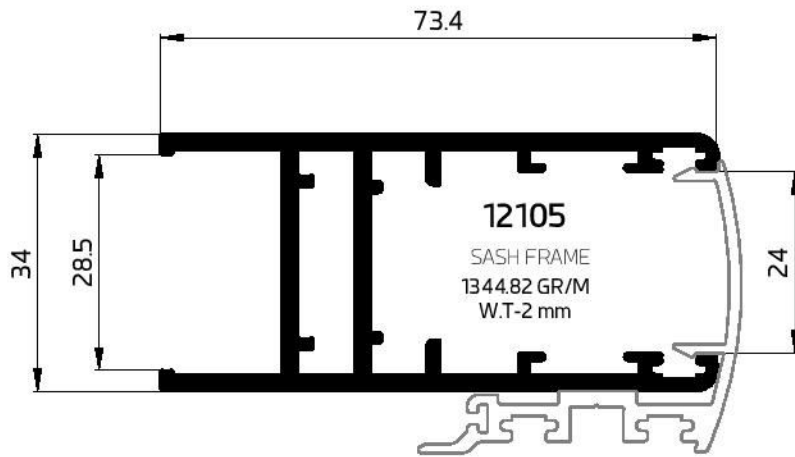


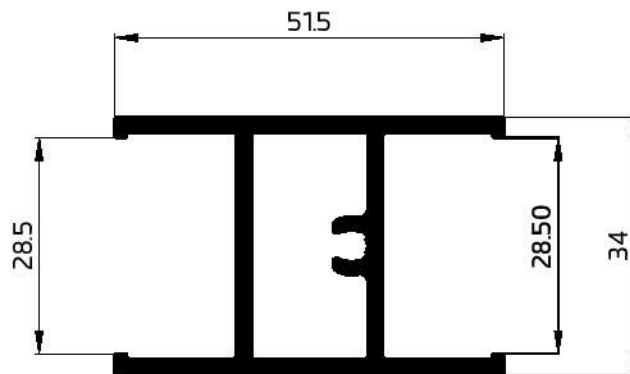
12030
 MIDDLE FRAME FOR SLIDING TO FIXED GLASS
 SYSTEM
 2654.85 GR/M
 W.T-2 mm



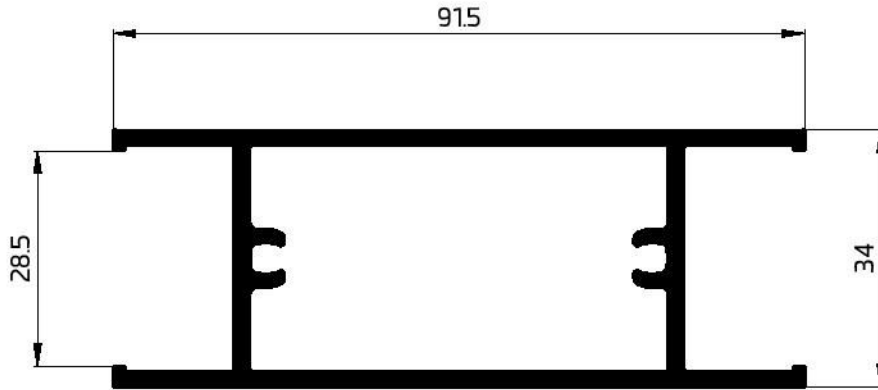
12035
 FIXED GLASS FRAME COVER FOR 12030
 1045.50 GR/M
 W.T-2 mm



12106
 INTERLOCK FOR 12105
 501.50 GR/M
 W.T-15 mm

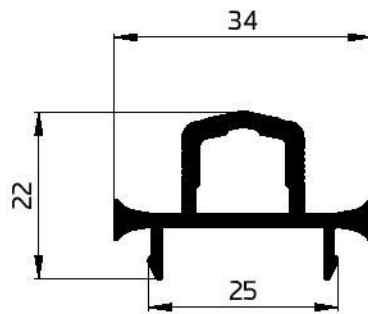


12107
 DIVISOR SASH
 979.82 GR/M
 W.T-2 mm



12108

DIVISOR SASH
1480.14 GR/M
W.T-2 mm



12112

COVER EXTENSION FOR 12105
424.16 GR/M
W.T-17 mm