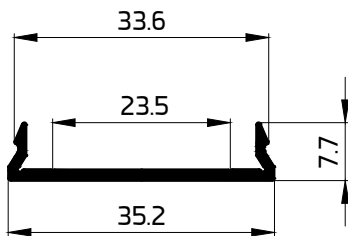
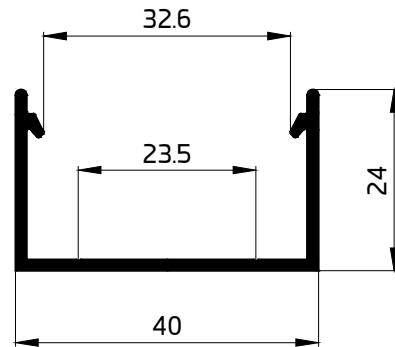


74003
SQUARE BALUSTER 40
796.93 GR/M
W.T- 1.5mm

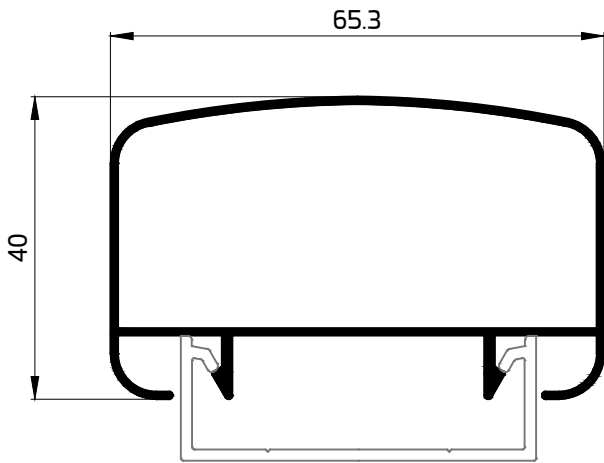
74004
SQUARE BALUSTER 30
556.87 GR/M
W.T-1.5mm



74007
RAIL CLIP FOR 74001
182.70 GR/M
W.T- 1.5mm



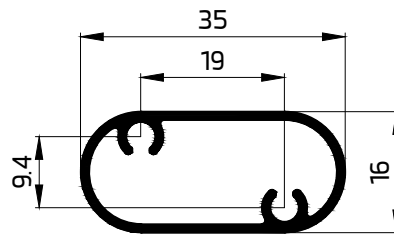
74006
RAIL CLIP FOR 74002
366.49 GR/M
W.T- 1.5mm



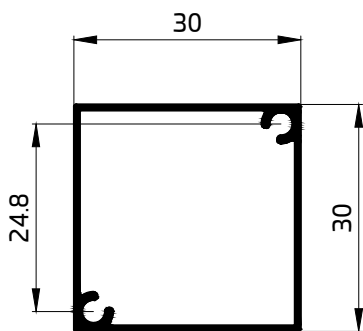
74008
 OVAL HANDRAIL 65
 630.51 GR/M
 W.T- 1mm



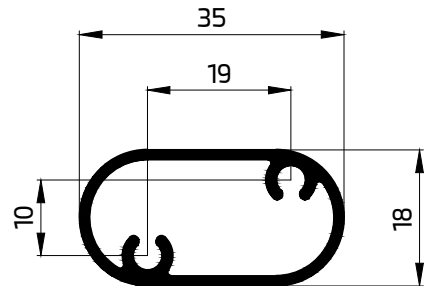
74010
 RAIL CLIP FOR 74008
 344.38 GR/M
 W.T-1.5mm



74005
 OVAL BALUSTER 35
 315.99 GR/M
 W.T- 1.1mm



74009
 SQUARE BALUSTER 30
 315.70 GR/M
 W.T-0.8mm



74012
 OVAL BALUSTER 35
 393.03 GR/M
 W.T- 1.3mm