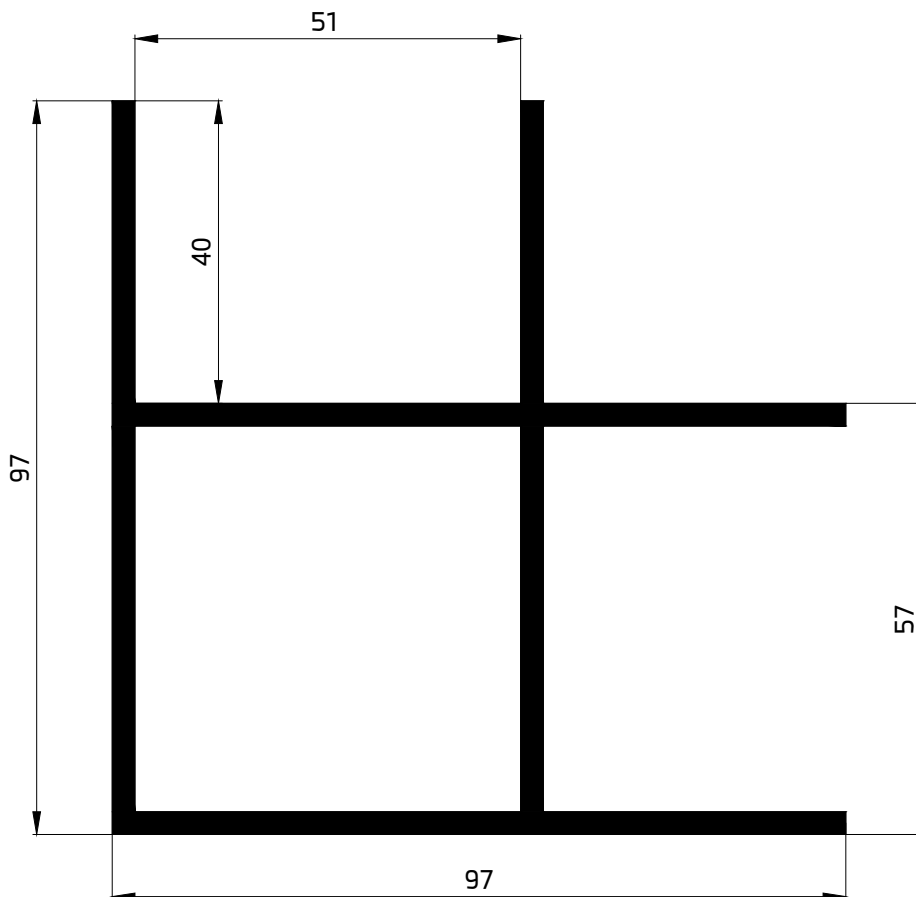
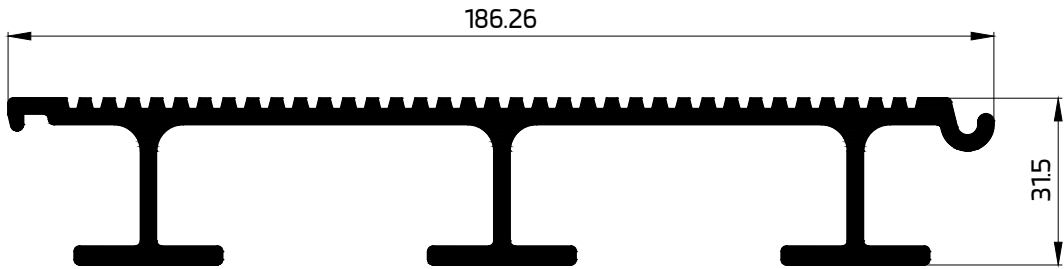
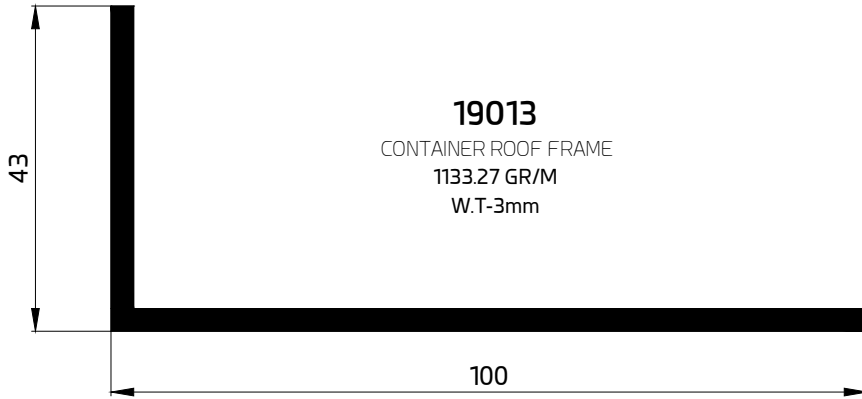


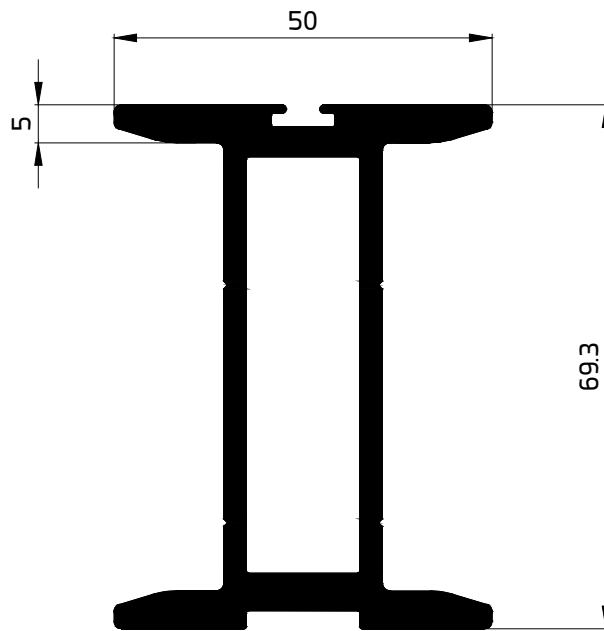
19015
CONTAINER H PANEL FRAME
1756.54 GR/M
W.T-3mm



19014
CONTAINER CORNER PANEL FRAME
3045.13 GR/M
W.T-3mm



19012
MULTI PURPOSE FLOORING
3534.67 GR/M
W.T-3mm



19001
CONTAINER FLOOR SUPPORT
2263.26 GR/M
W.T-3mm