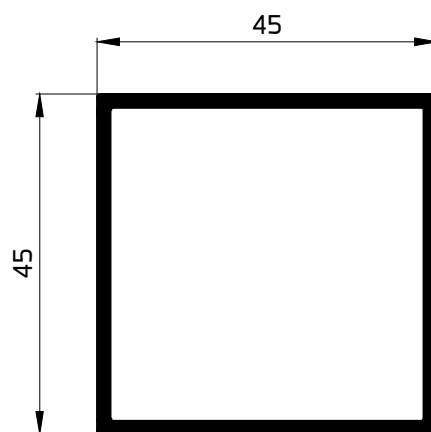


79084

TENT SUPPORT (5M)SYSTEM

1888.07 GR/M

W.T- 2mm

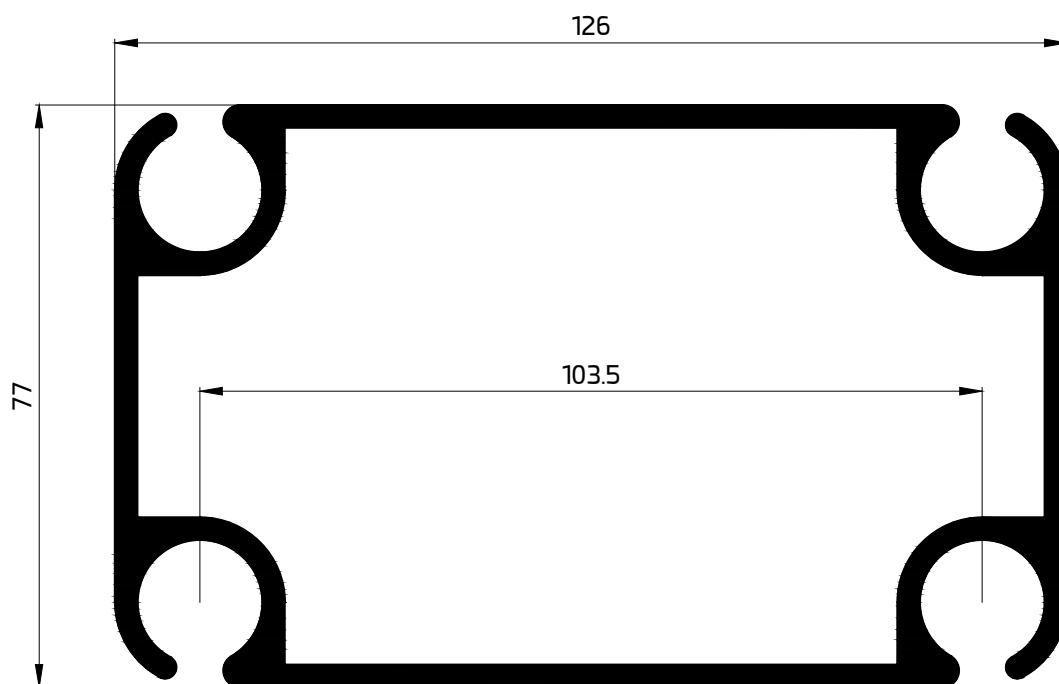


79085

TENT SUPPORT (5M)SYSTEM

839.43 GR/M

W.T- 1.8mm

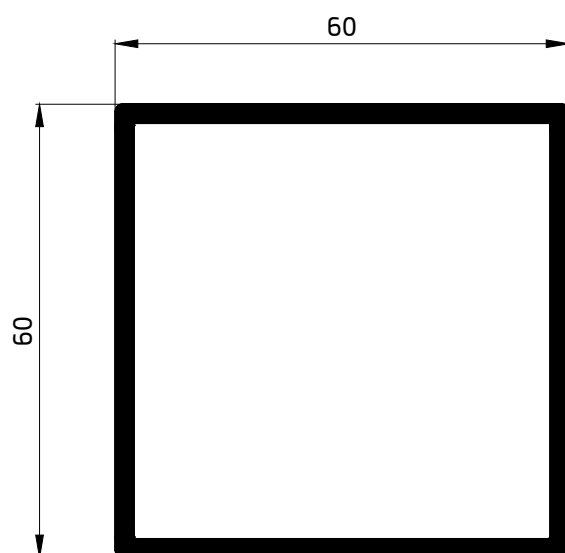


79079

TENT BASE (10M)SYSTEM

4163.37 GR/M

W.T- 3mm

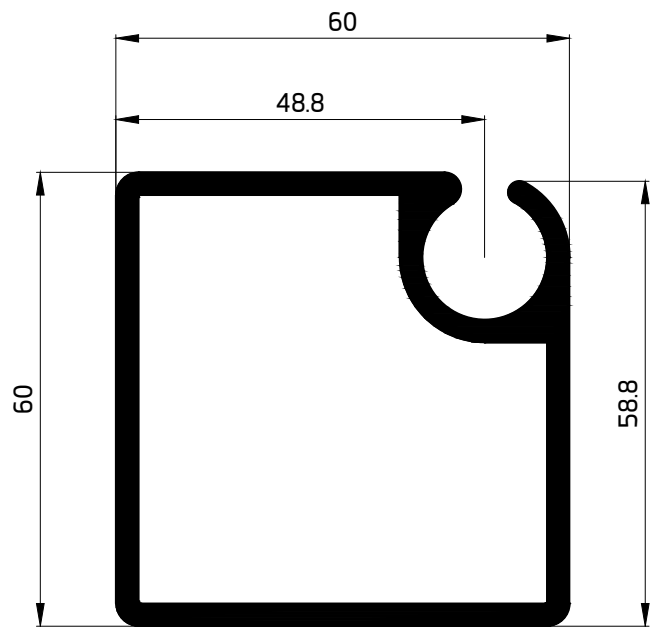
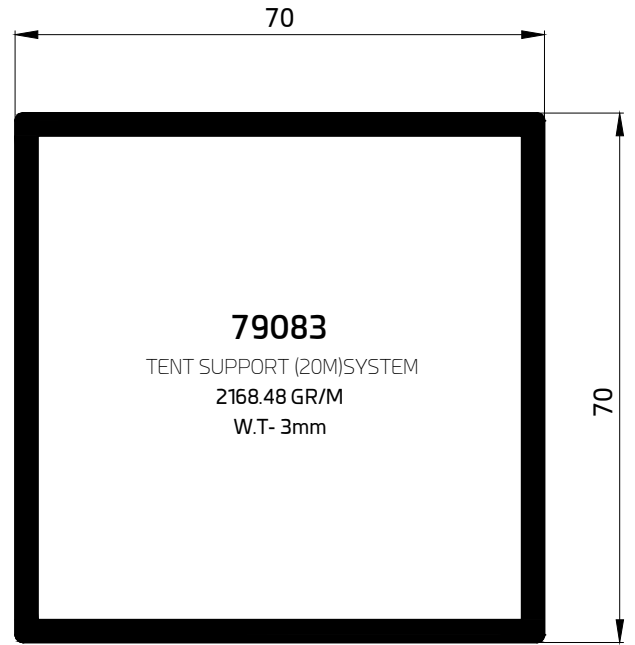
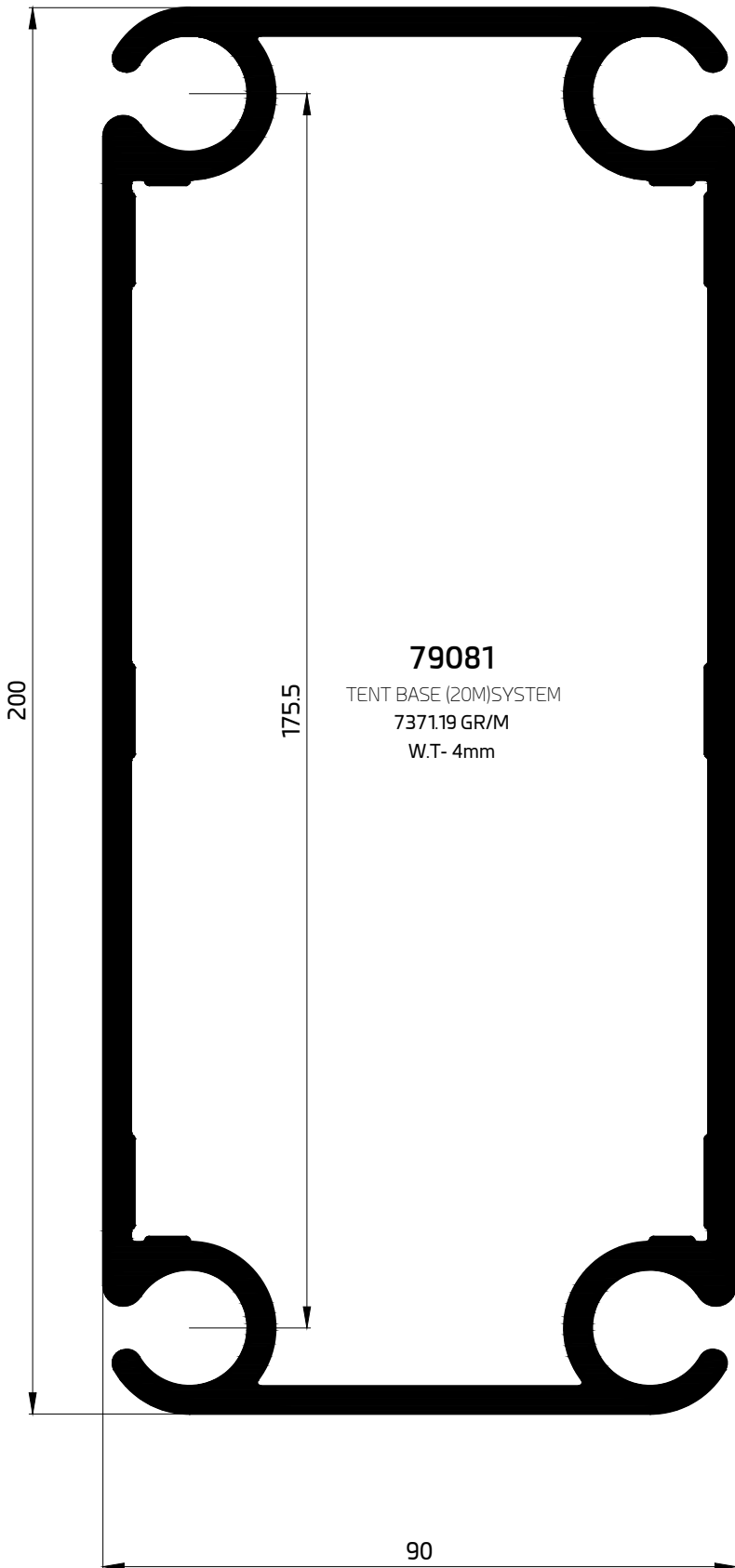


79080

TENT SUPPORT (10 M)SYSTEM

1550.39 GR/M

W.T- 2.5mm



79082
TENT SUPPORT (20M)SYSTEM
2074.30 GR/M
W.T- 3mm

