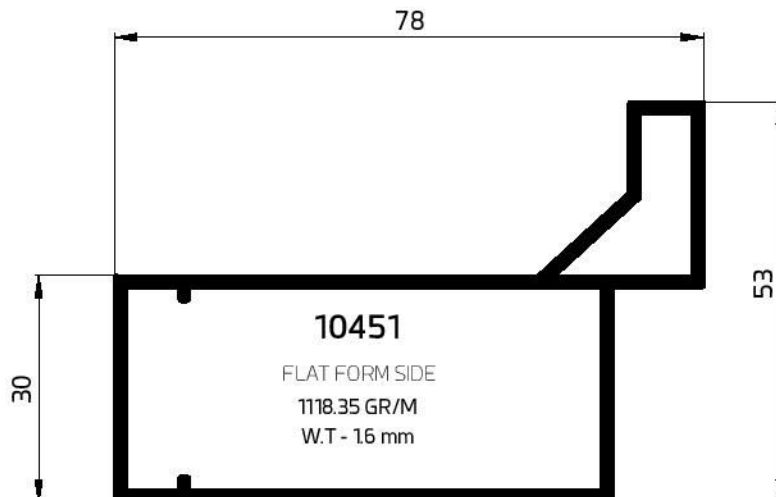
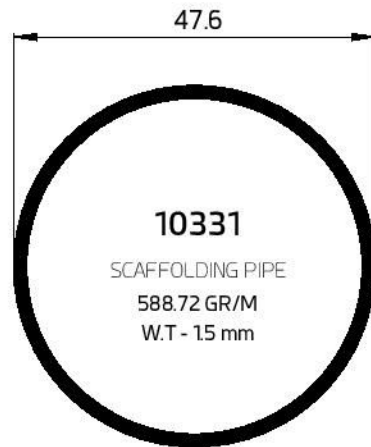
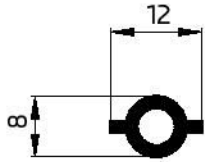


10151
LADDER SIDE
833.11GR/M
W.T - 1.8 mm

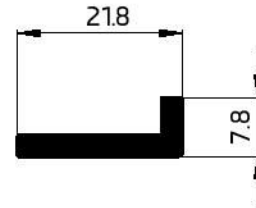


SCAFFOLDING



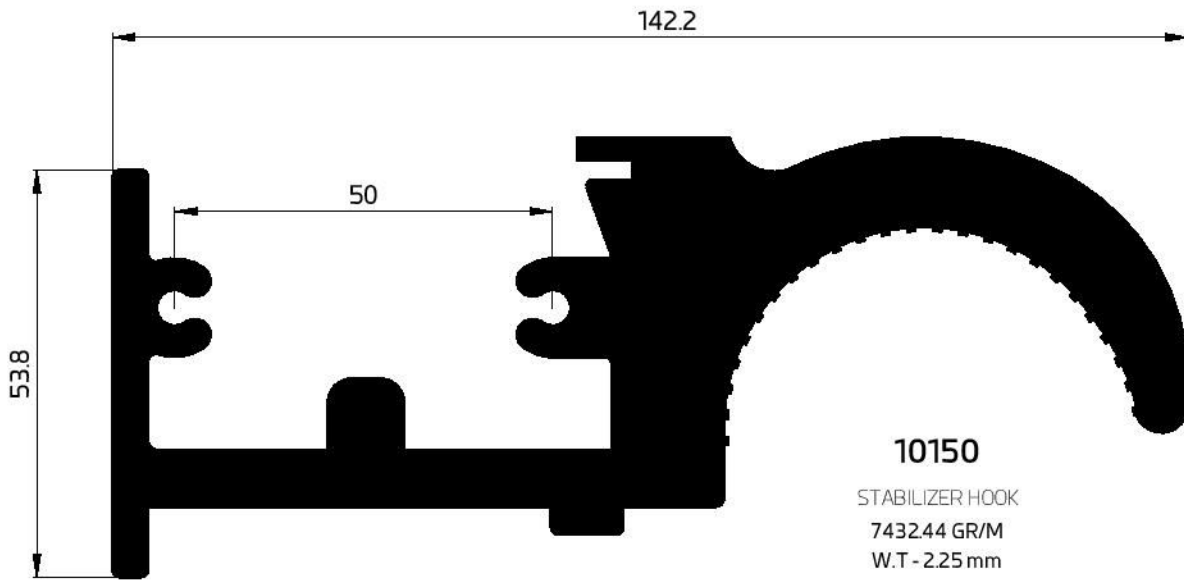
10074

SCAFFOLDING
99.46 GR/M
W.T - 15 mm



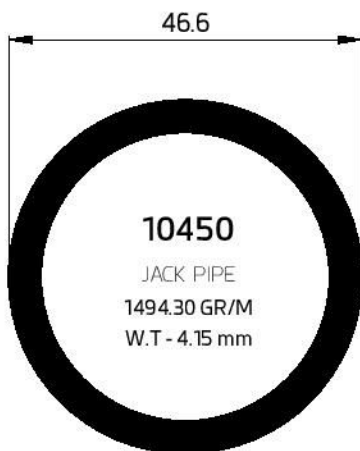
10152

SCAFFOLDING
202.25 GR/M
W.T - 2.8 mm



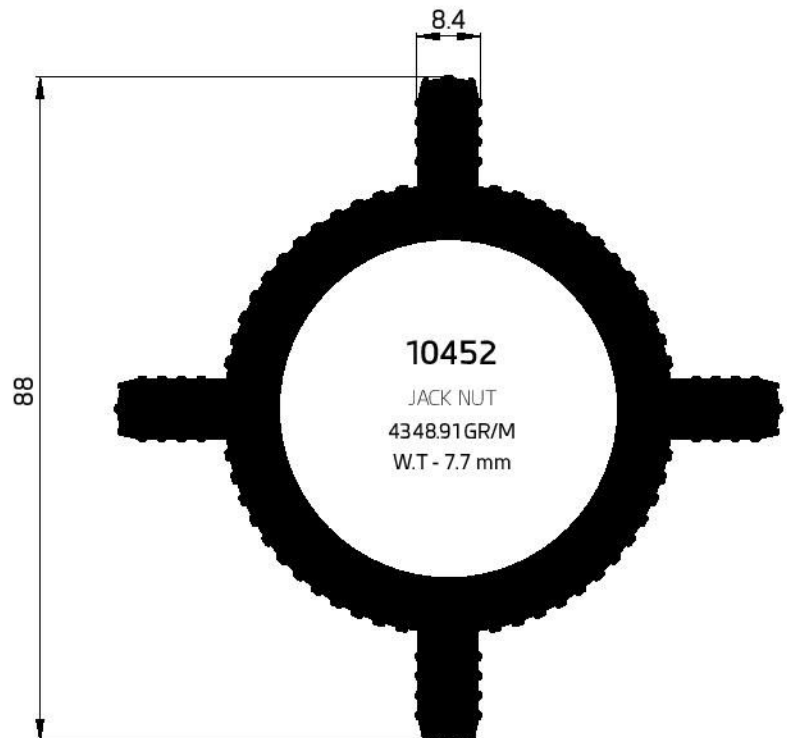
10150

STABILIZER HOOK
7432.44 GR/M
W.T - 2.25 mm



10450

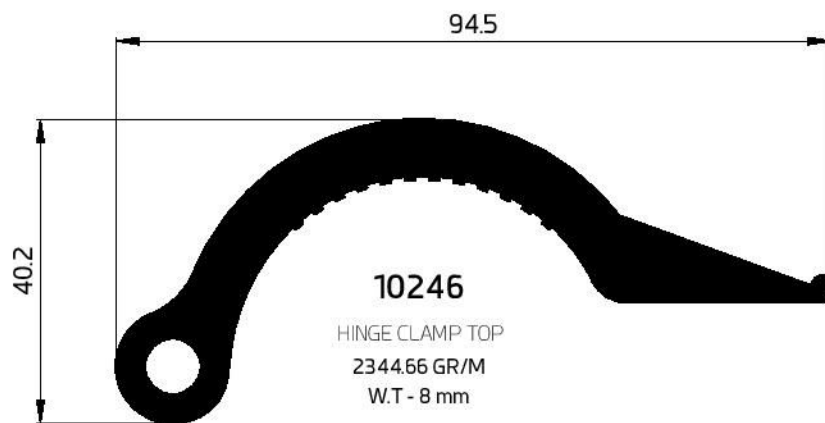
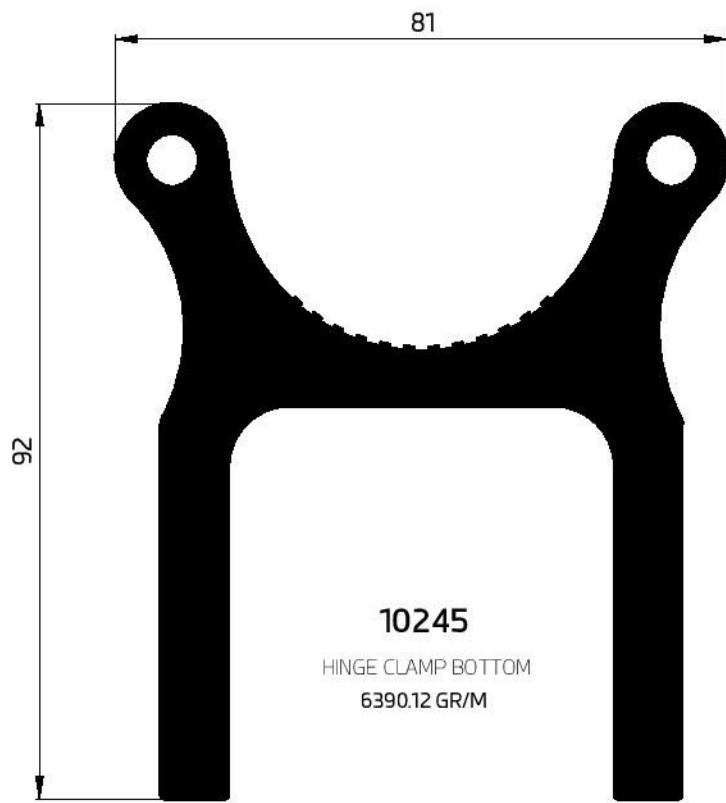
JACK PIPE
1494.30 GR/M
W.T - 4.15 mm

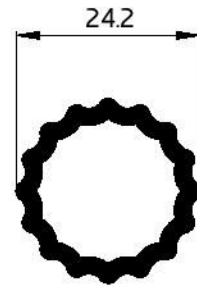
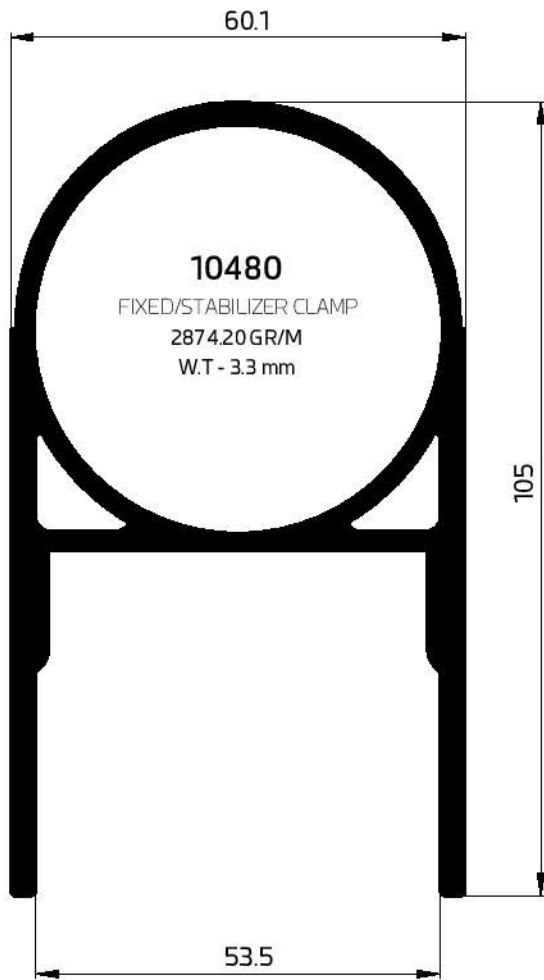


10452

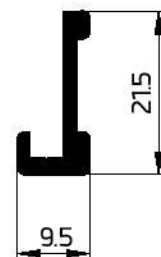
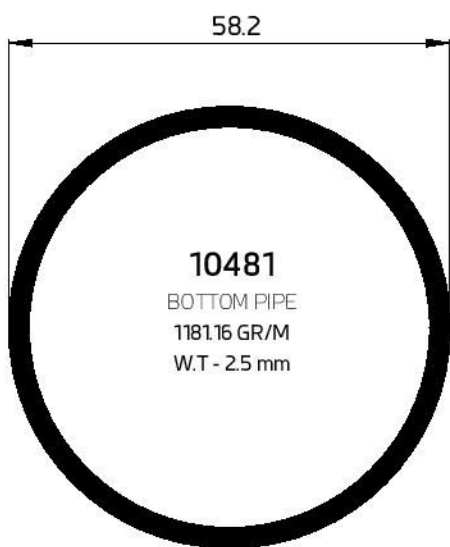
JACK NUT
4348.91 GR/M
W.T - 7.7 mm

SCAFFOLDING

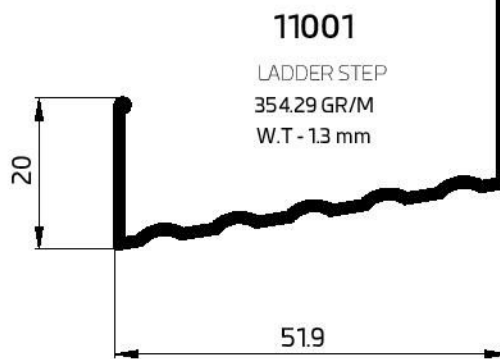


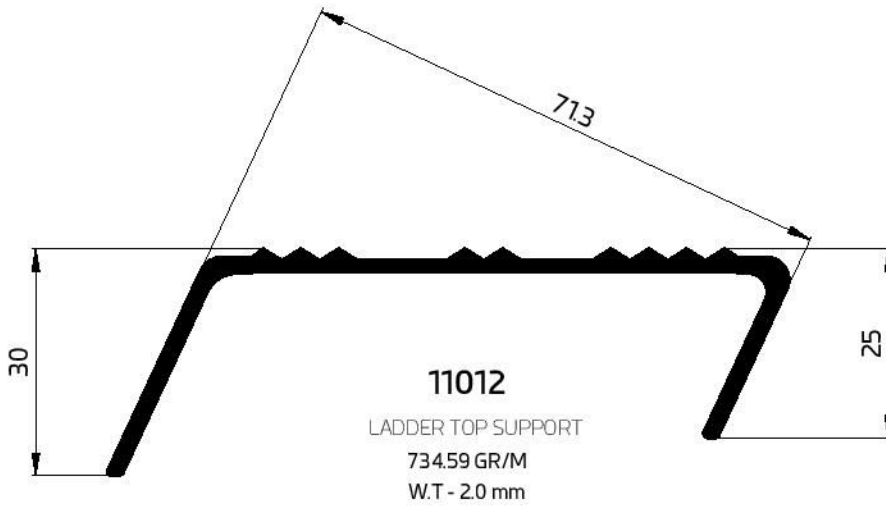
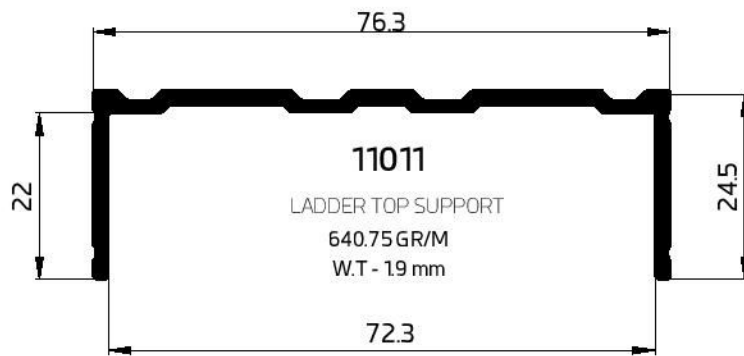
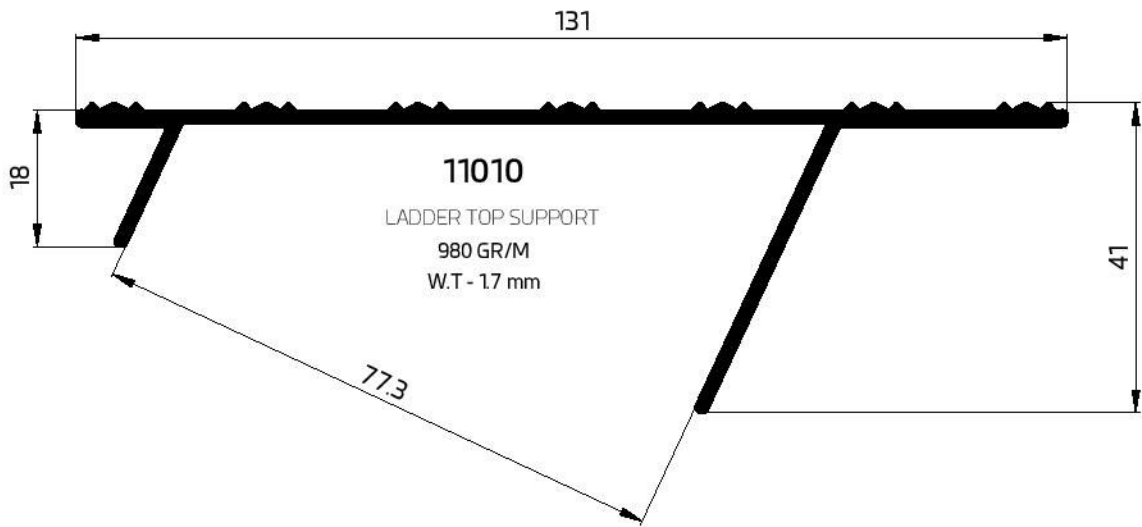


10482
LADDER STEP
401.12 GR/M
W.T - 2 mm



11006
LADDER TOP BRACKET
181.25 GR/M
W.T-16mm



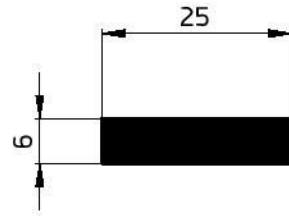


SCAFFOLDING



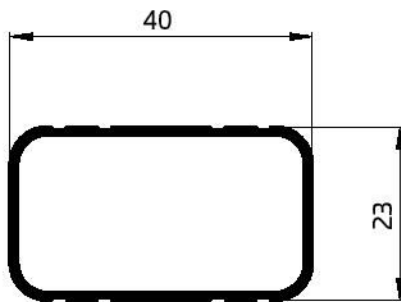
89034

LADDER TUBE
499.59 GR/M
W.T - 1.4 mm



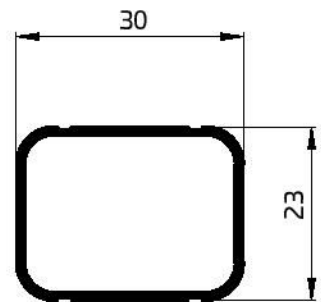
89039

LADDER SUPPORT
405 GR/M



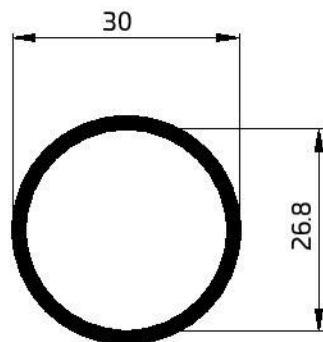
89030

LADDER TUBE
325.87 GR/M
W.T - 11 mm



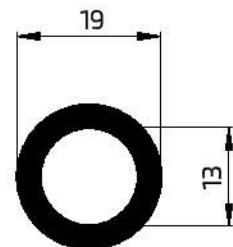
89031

LADDER TUBE
272.76 GR/M
W.T - 11 mm



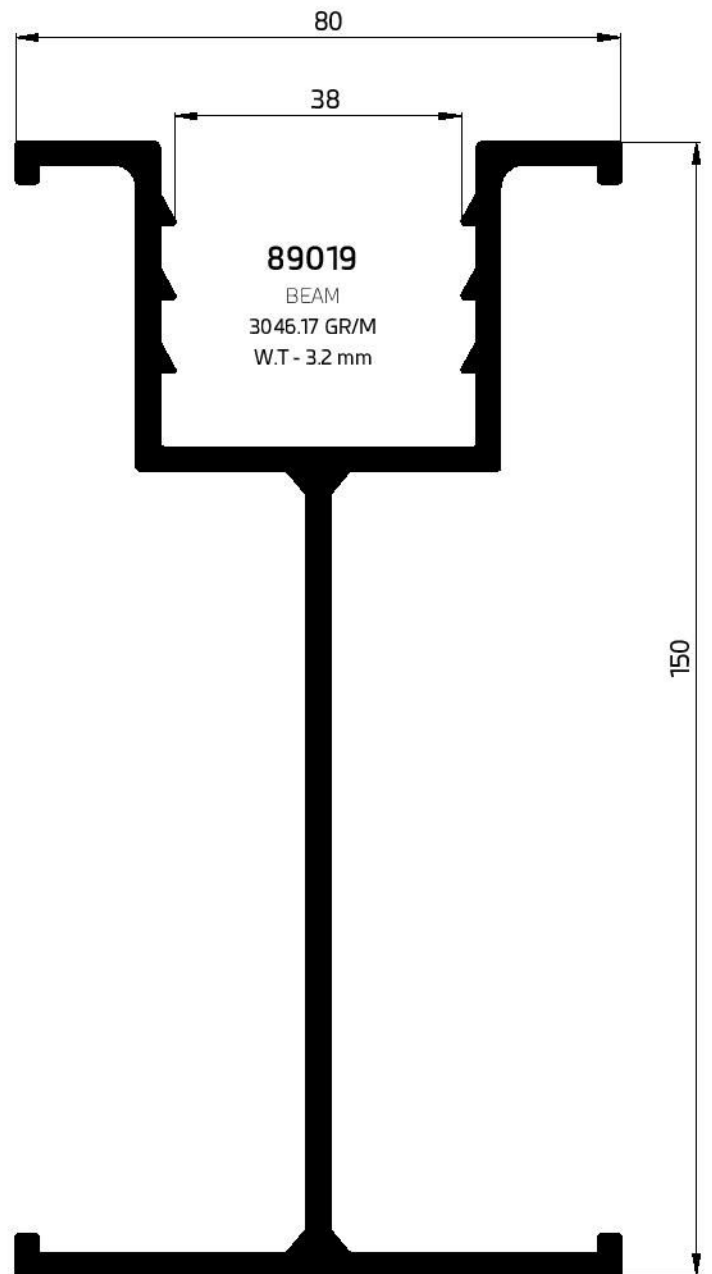
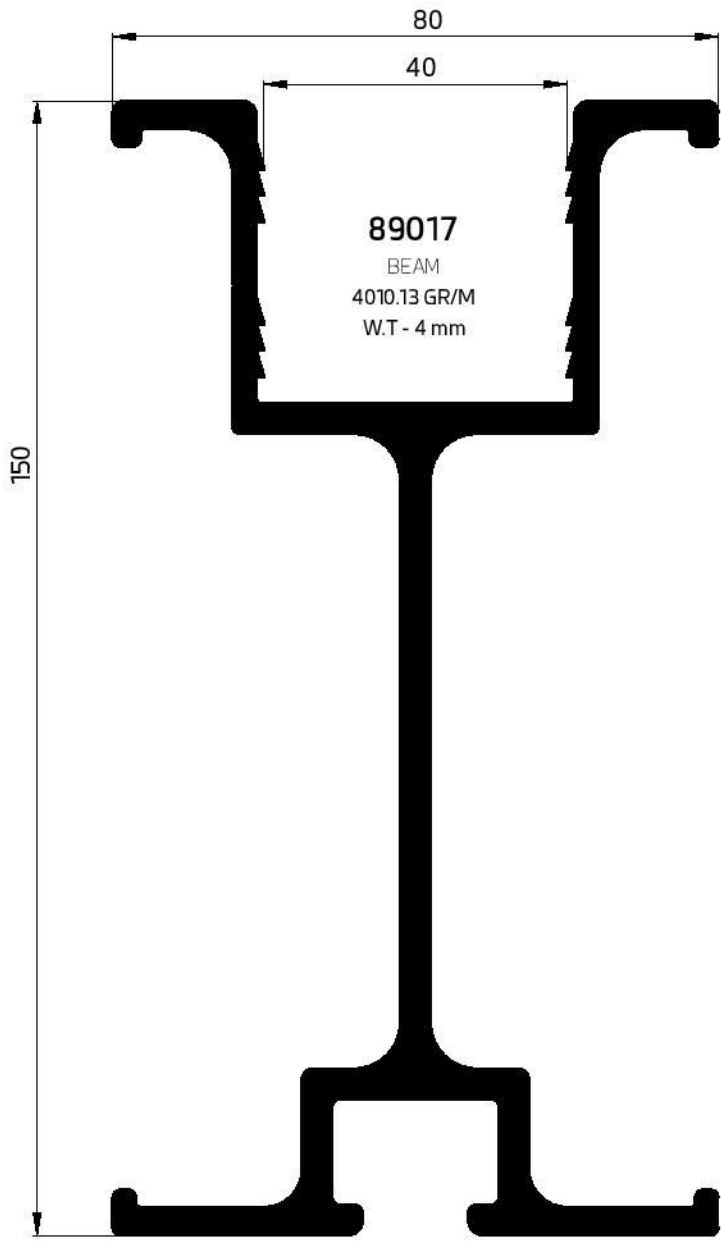
89036

SCAFFOLDING
385.43 GR/M
W.T - 1.6 mm

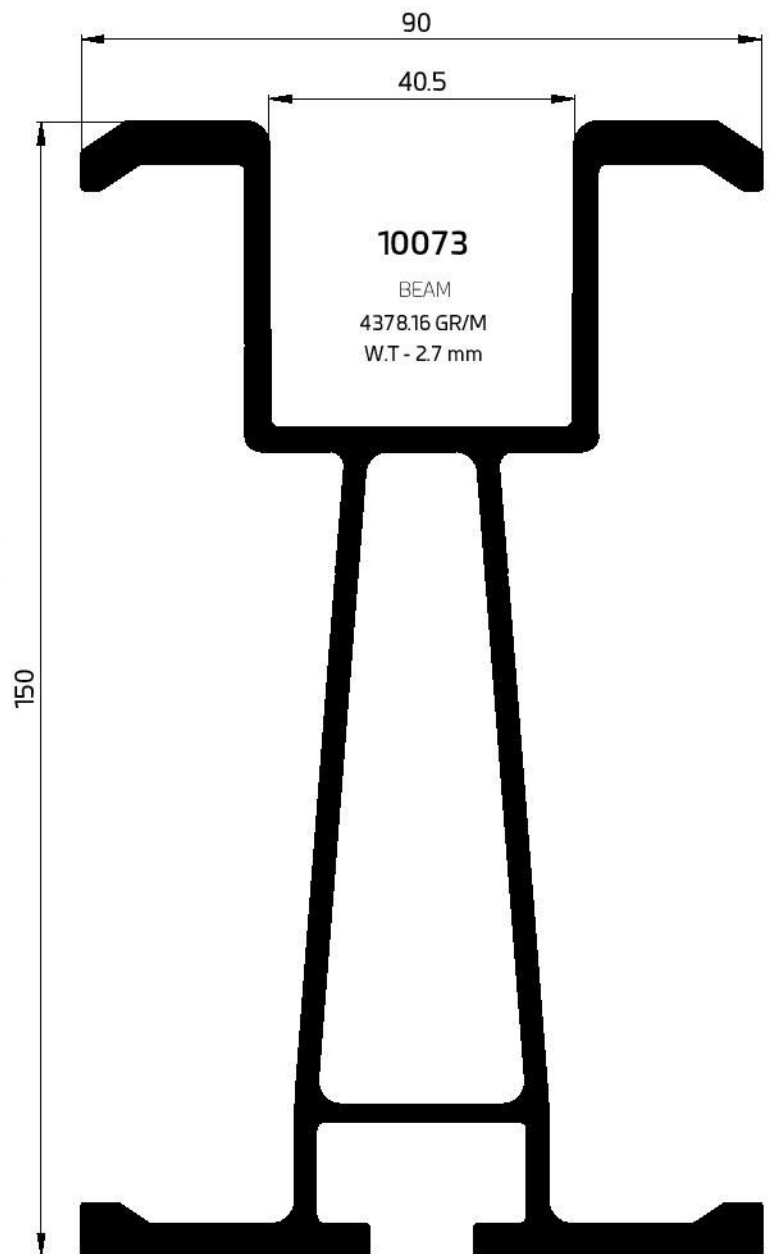
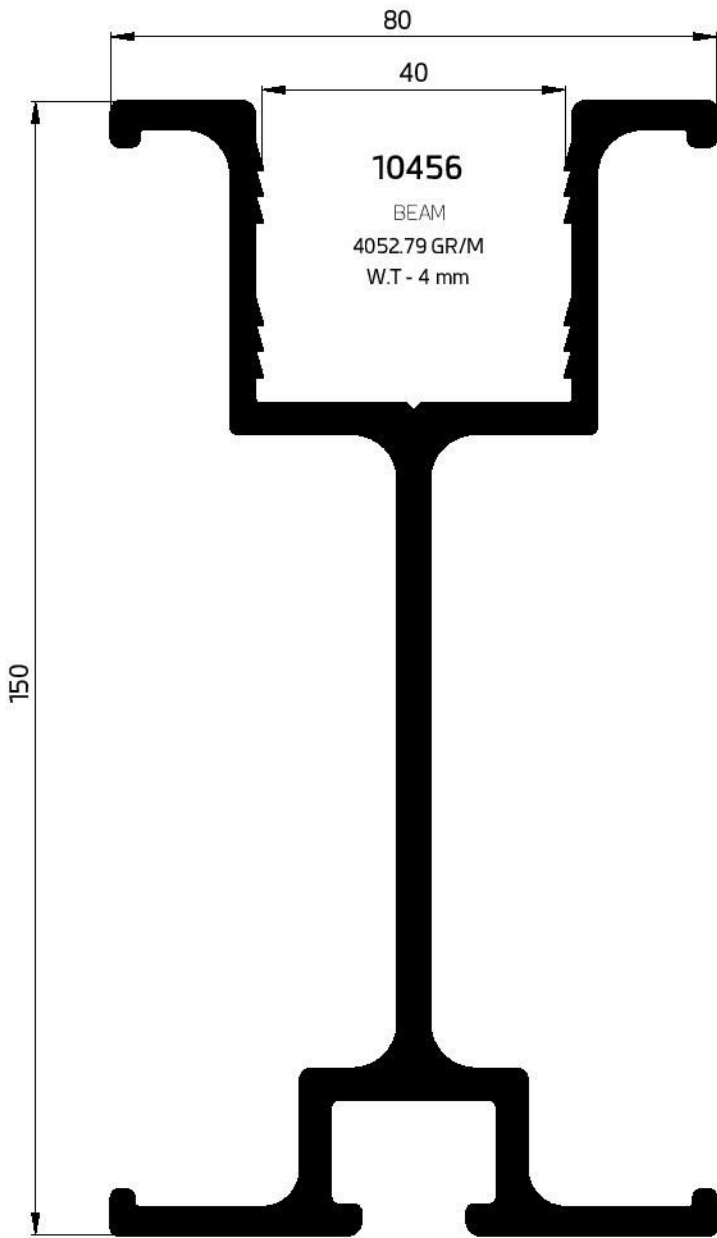


89037

SCAFFOLDING
407.15 GR/M
W.T - 3.0 mm



SCAFFOLDING



SCAFFOLDING