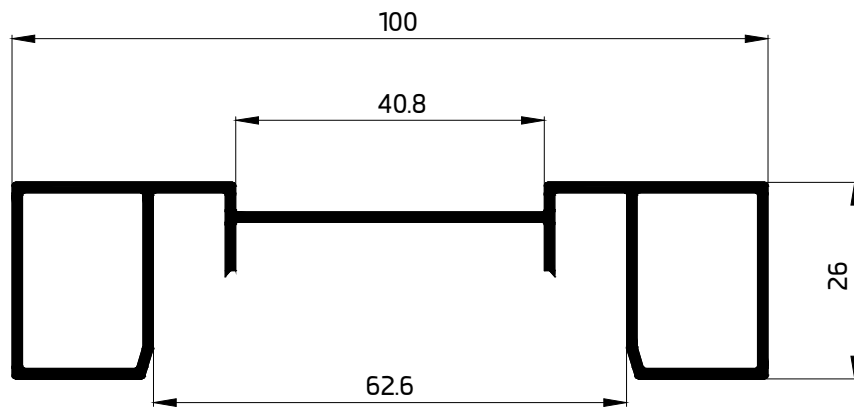
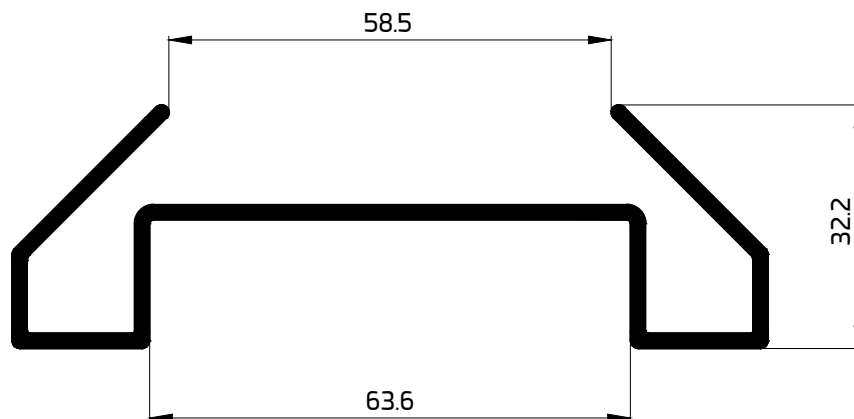


10006
CORNER 40 X 40
624.60 GR/M
W.T- 15 mm

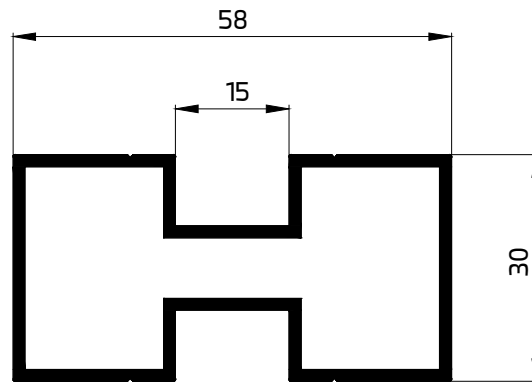
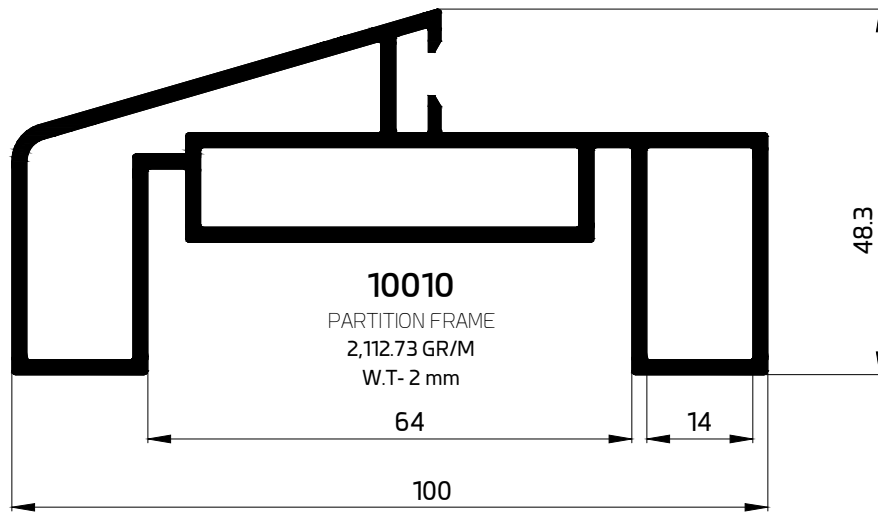


10008
PARTITION FRAME
985.51 GR/M

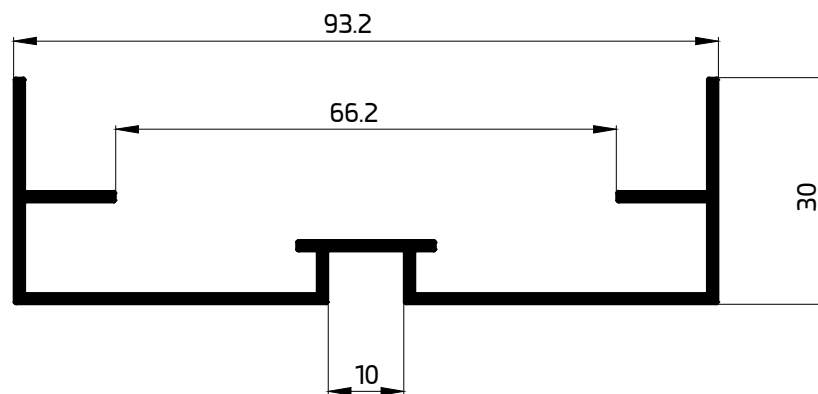
W.T- 14 mm



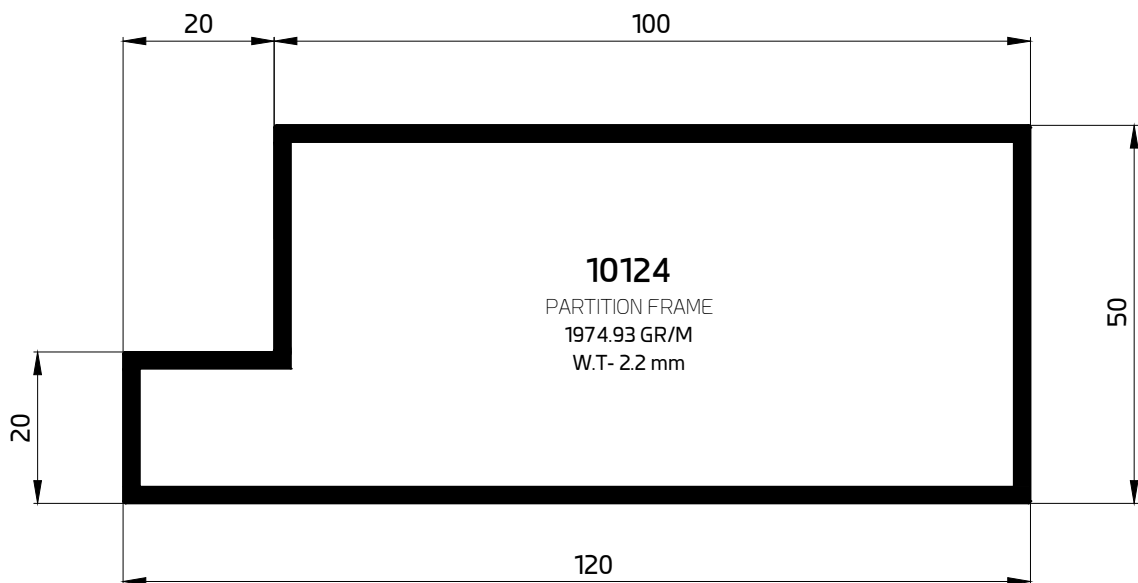
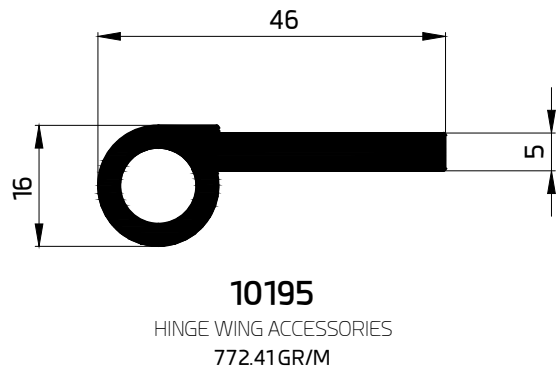
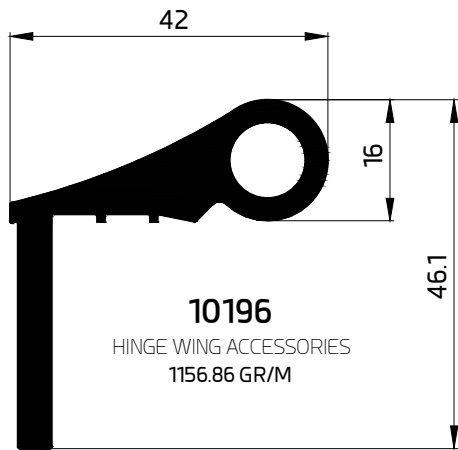
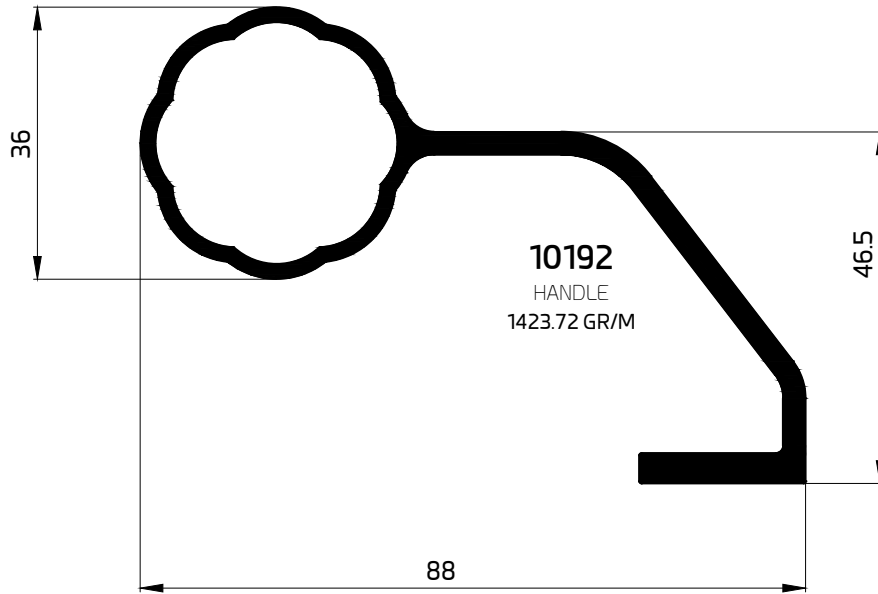
10009
PARTITION FRAME
1,174.89 GR/M
W.T- 2 mm

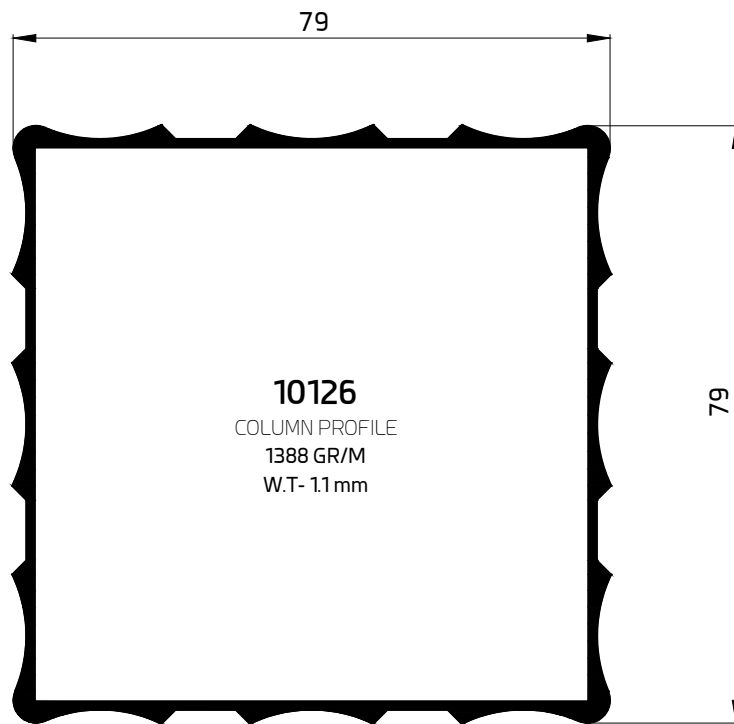
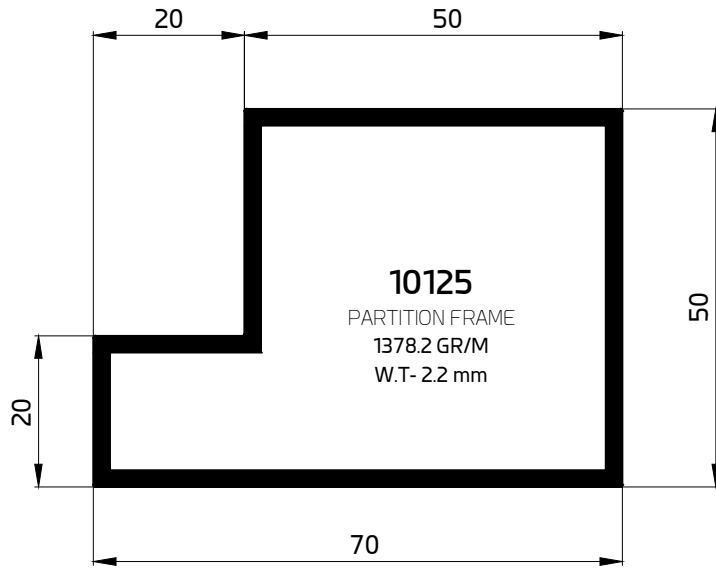


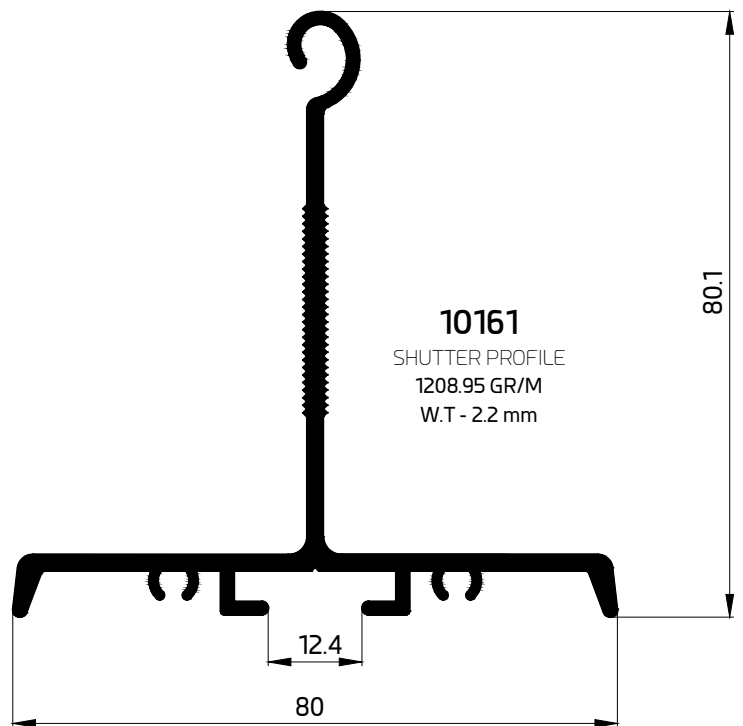
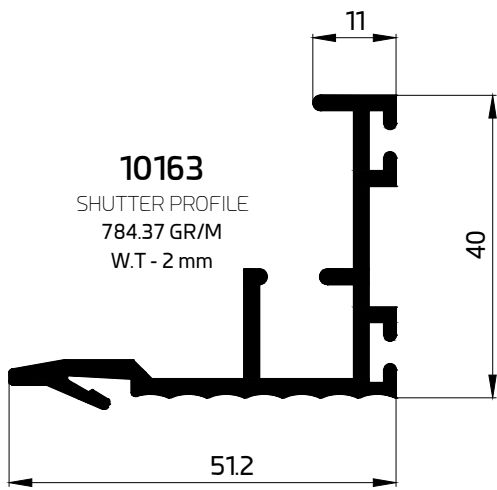
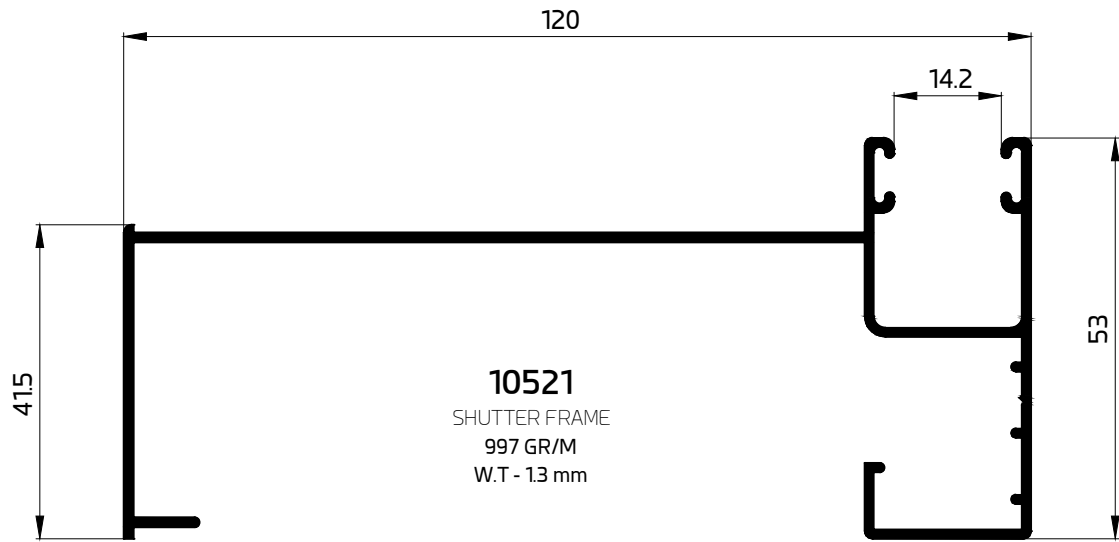
10011
PARTITION FRAME
896.266 GR/M
W.T- 1.6 mm

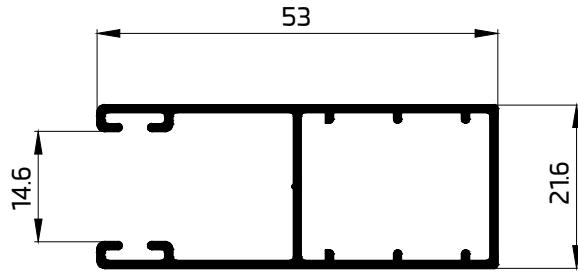


10012
PARTITION FRAME
786.55 GR/M
W.T- 1.5 mm

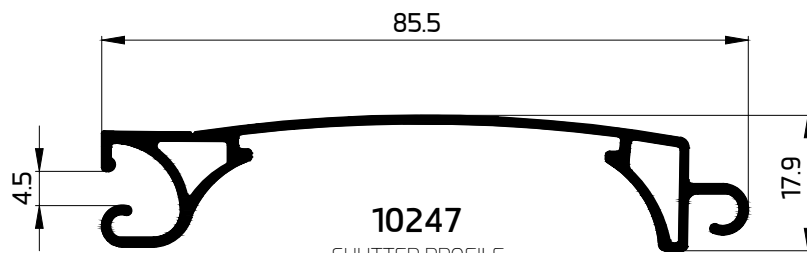




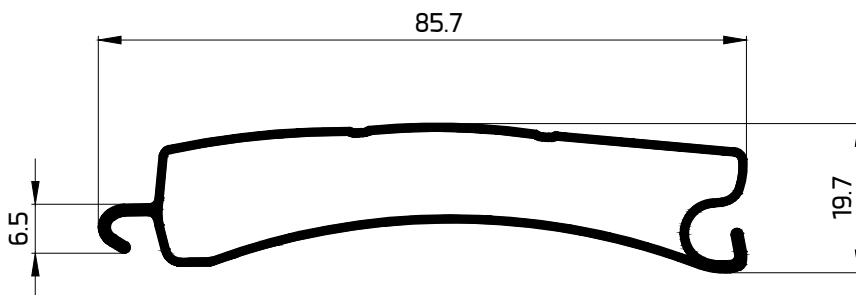




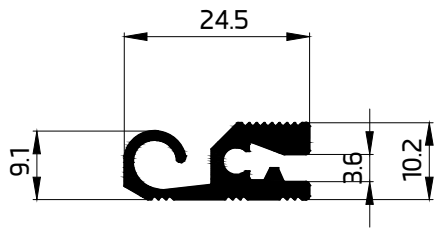
10523
SHUTTER FRAME
464.44 GR/M
W.T - 1.0 mm



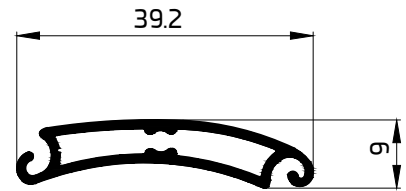
10247
SHUTTER PROFILE
567.90 GR/M
W.T - 1.1 mm



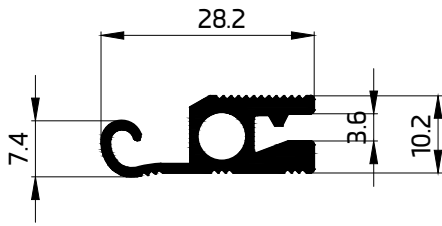
10761
SHUTTER PROFILE
581.97 GR/M
W.T - 1 mm



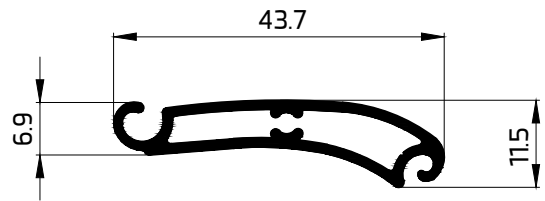
10159
SHUTTER
318 GR/M



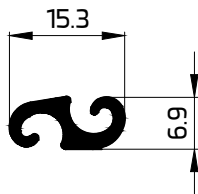
10525
SHUTTER
273 GR/M
W.T - 11mm



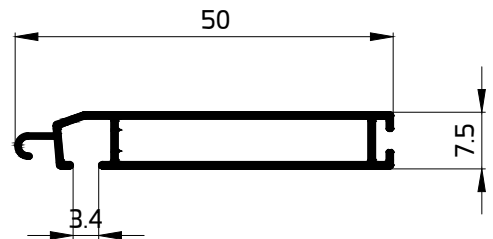
10160
SHUTTER
332.73 GR/M



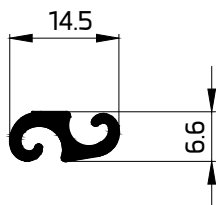
10526
SHUTTER
346.78 GR/M
W.T - 12 mm



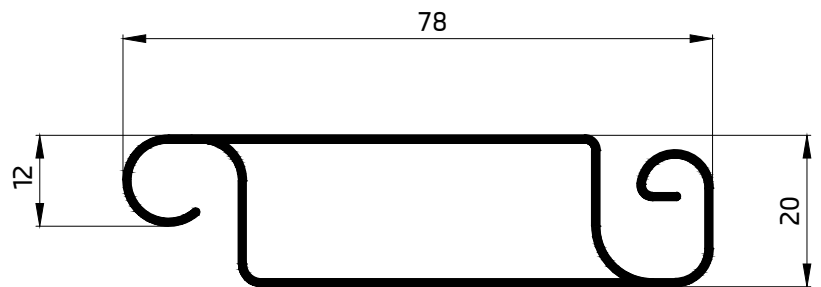
10524
SHUTTER
138.23 GR/M



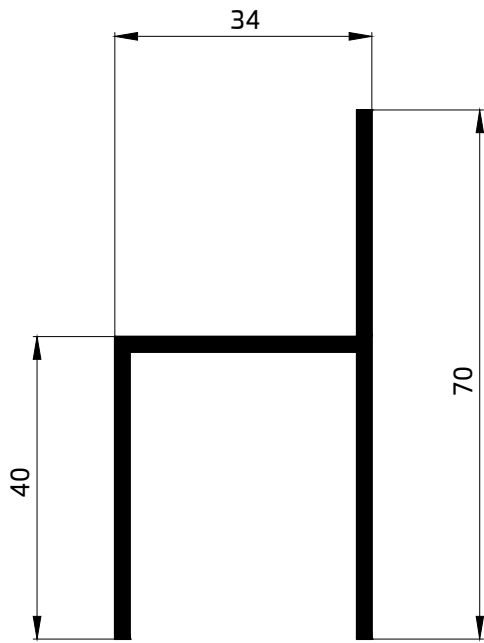
10522
SHUTTER
273 GR/M
W.T - 0.9 mm



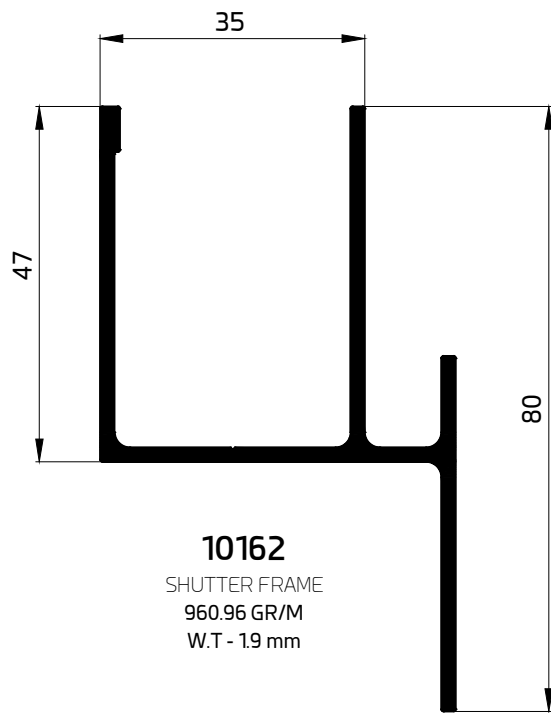
10527
SHUTTER
124 GR/M



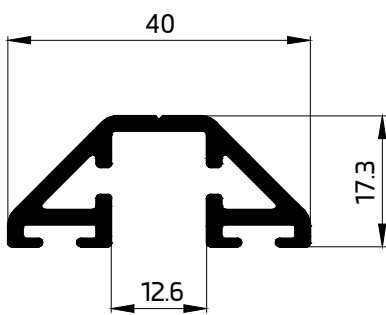
10754
SHUTTER
564.08 GR/M
W.T - 1mm



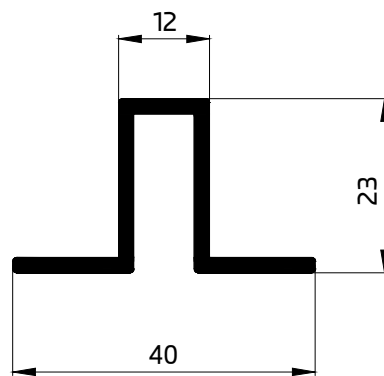
10534
SHUTTER FRAME
756 GR/M
W.T - 2 mm



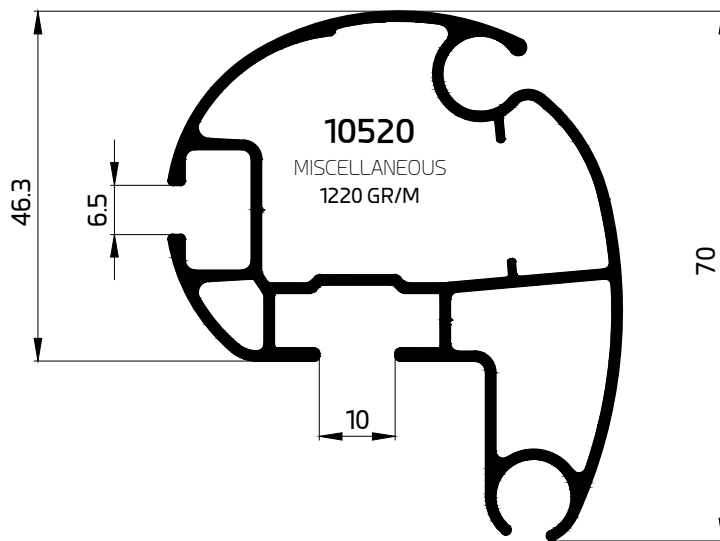
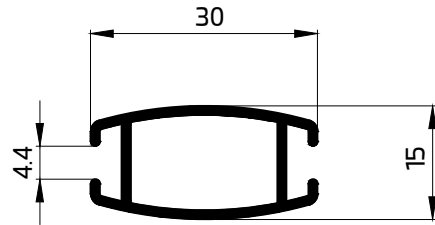
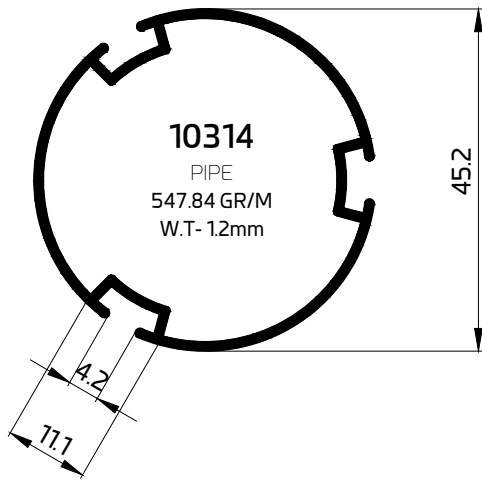
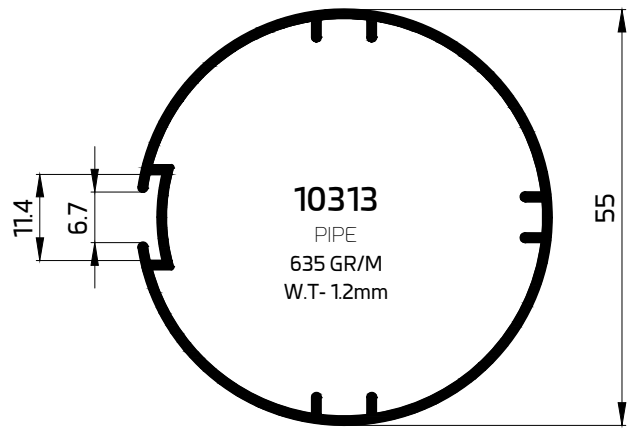
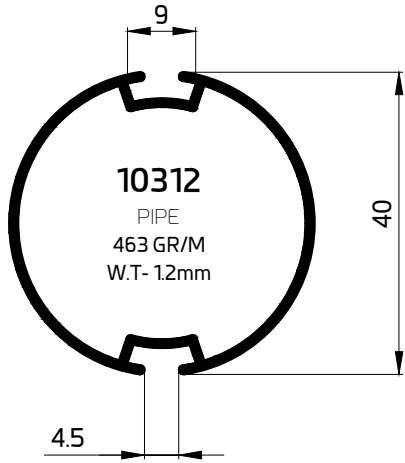
10162
SHUTTER FRAME
960.96 GR/M
W.T - 1.9 mm

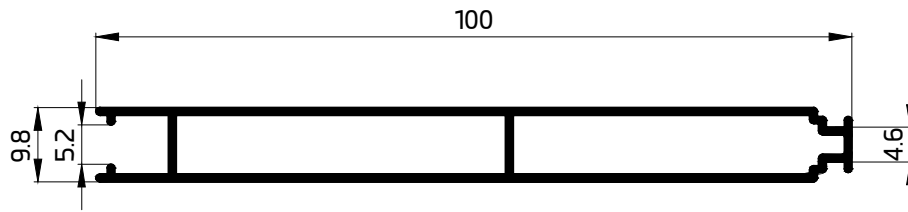


10000
GLASS ROOF COVER FOR 10001
539.11 GR/M
W.T- 2 mm

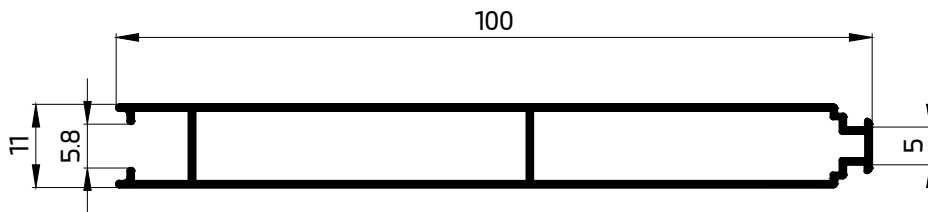


10001
GLASS ROOF HOLDER 40
443.28 GR/M
W.T- 2 mm

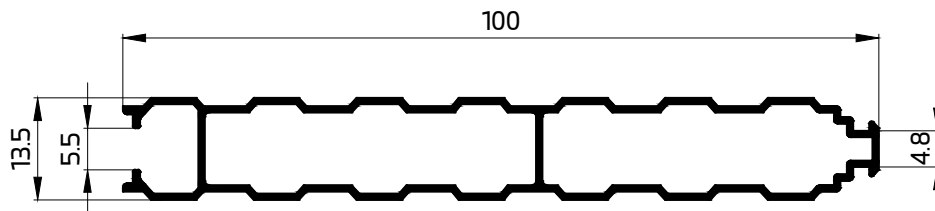




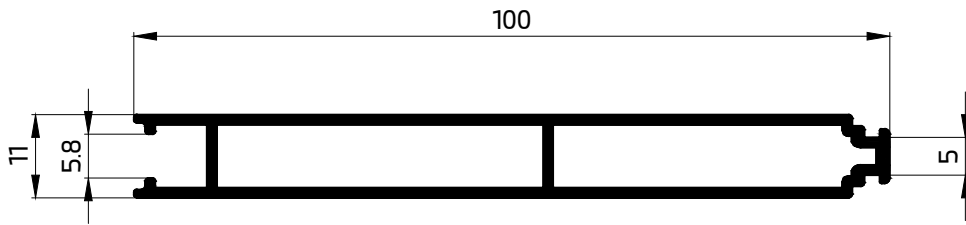
72007
 KRICK PLATE 100 X 10
 614.31 GR/M
 W.T- 1mm



72078
 KRICK PLATE 100 X 11
 564.47 GR/M
 W.T- 0.9mm

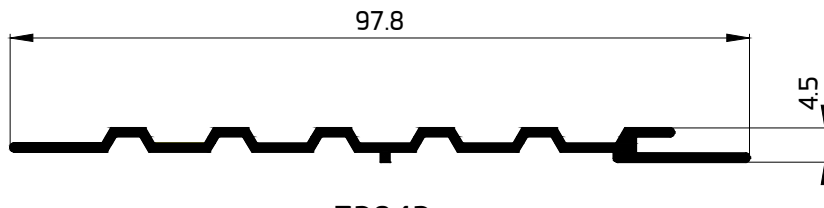


72316
 KRICK PLATE 100x 13.5mm
 577.67 GR/M



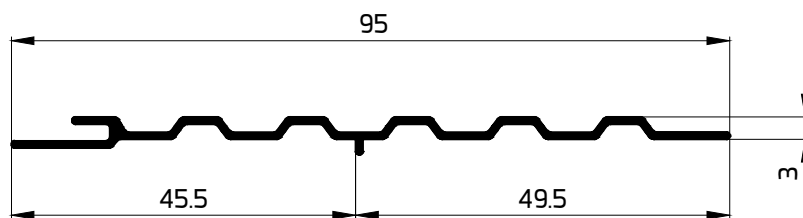
72389

KRICK PLATE 100x 11mm
 837.26 GR/M
 W.T-1.35



72042

KRICK PLATE 98 X4.5
 379.72 GR/M
 W.T-1.15



72034

KRICK PLATE 95X3
 298 GR/M
 W.T = 0.95 mm